

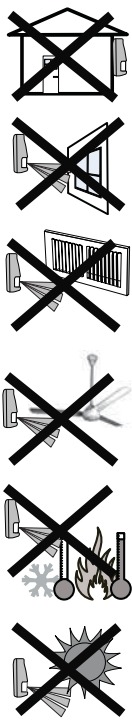
BWare™

K-Band DT Grade 2
Model: RK515DTGL



RISCO GROUP

Creating Security Solutions.
With Care.
riscogroup.com



U.S. Patent Number:

This product is protected under Patent No. US 7,126,476 B2. Other patents pending.

CE Compliance Section:

Risco Ltd. hereby declares that this equipment is in compliance with the essential requirement and other relevant provisions of Directive 1999/5/EC. For the EC Declaration of Conformity please refer to our website: www.riscogroup.com



EN 50131-1
EN 50131-2-4
Grade 2
Environmental Class II

FCC modular approval Contains FCC ID UXS-IPM165F

BWare RK515DTGL FCC Compliance Section:

FCC Part 15 Note:

This equipment has been tested and found to comply with the limits for a Class B digital device, pursuant to Part 15 of the FCC rules. These limits are designed to provide reasonable protection against harmful interference in a residential installation. This equipment generates, uses and can radiate radio frequency energy and, if not installed and used in accordance with the instructions, may cause harmful interference to radio communications.

- However, there is no guarantee that interference will not occur in a particular installation. If this equipment does cause harmful interference to radio or television reception, which can be determined by turning the equipment off and on, the user is encouraged to try to correct the interference by one or more of the following measures:
- Reorient or relocate the receiving antenna.
 - Increase the separation between the equipment and receiver.
 - Connect the equipment to an outlet on a circuit different from that to which the receiver is connected.
 - Consult the dealer or an experienced radio/TV technician.

FCC Warning:

The manufacturer is not responsible for any radio or TV interference caused by unauthorized modifications to this equipment. Such modifications could void the user's authority to operate the equipment.

RISCO Group Limited Warranty

RISCO Group and its subsidiaries and affiliates ("Seller") warrants its products to be free from defects in materials and workmanship under normal use for 24 months from the date of production. Because Seller does not install or connect the product and because the product may be used in conjunction with products not manufactured by the Seller, Seller cannot guarantee the performance of the security system which uses this product. Seller's obligation and liability under this warranty is expressly limited to repairing and replacing, at Seller's option, within a reasonable time after the date of delivery, any product not meeting the specifications. Seller makes no other warranty, expressed or implied, and makes no warranty of merchantability or of fitness for any particular purpose. In no case shall seller be liable for any consequential or incidental damages for breach of this or any other warranty, expressed or implied, or upon any other basis of liability whatsoever. Seller's obligation under this warranty shall not include any transportation charges or costs of installation or any liability for direct, indirect, or consequential damages or delay. Seller does not represent that its product may not be compromised or circumvented; that the product will prevent any personal injury or property loss by burglary, robbery, fire or otherwise; or that the product will in all cases provide adequate warning or protection. Seller, in no event shall be liable for any direct or indirect damages or any other losses occurred due to any type of tampering, whether intentional or unintentional such as masking, painting or spraying on the lenses, mirrors or any other part of the detector. Buyer understands that a properly installed and maintained alarm may only reduce the risk of burglary, robbery or fire without warning, but is not insurance or a guaranty that such event will not occur or that there will be no personal injury or property loss as a result thereof. Consequently seller shall have no liability for any personal injury, property damage or loss based on a claim that the product fails to give warning. However, if seller is held liable, whether directly or indirectly, for any loss or damage arising under this limited warranty or otherwise, regardless of cause or origin, seller's maximum liability shall not exceed the purchase price of the product, which shall be complete and exclusive remedy against seller. No employee or representative of Seller is authorized to change this warranty in any way or grant any other warranty.

WARNING: This product should be tested at least once a week.

CAUTION: risk of explosion if battery is replaced by an incorrect type. Dispose of used batteries according to local regulations.

© RISCO Group 10/2013

5IN1749 B

RISCO Group Contacting Info

RISCO Group is committed to customer service and product support. You can contact us through our website (www.riscogroup.com) or at the following telephone and fax numbers:

UK Tel: 44-(0)-161-655-5500
support-uk@riscogroup.com

ITALY Tel: +39-02-66590054
support-it@riscogroup.com

SPAIN Tel: +34-91-490-2133
support-es@riscogroup.com

FRANCE Tel: +33-164-73-28-50
support-fr@riscogroup.com

BELGIUM Tel: +32-2522-7622
support-be@riscogroup.com

U.S.A Tel: +1-631-719-4400
support-usa@riscogroup.com

BRAZIL Tel: +55-11-3661-8767
support-br@riscogroup.com

CHINA (Shanghai)
Tel: +86-21-52-39-0066
support-cn@riscogroup.com

CHINA (Shenzhen)
Tel: +86-755-82789285
support-cn@riscogroup.com

POLAND Tel: +48-22-500-28-40
support-pl@riscogroup.com

ISRAEL Tel: +972-3-963-7777
support@riscogroup.com

ENGLISH

The BWare DT detector is the ultimate motion detector for professional installations, incorporating Anti-Cloak™ Technologie (ACT™) and includes built-in end-of-line (EOL) resistors to simplify installation.

The detector employs K-Band microwave providing reduced wall penetration.

Installation / Maintenance

Mounting - The BWare DT can be mounted either on a flat surface or on a wall corner (corner mounting).

1. Remove detector's front cover using a suitable tool (as described in Figure 1).

2. Using a suitable tool, open the following knockouts on the detector's base (see Figure 2).

3. To select the correct vertical adjustment position for wide angle lens, use the scale on the bottom right hand side of the PCB cover as follows:

| Mounting Height | L - LONG | S - SHORT |
|-------------------------|-----------|-----------|
| 2.1m-2.7m (6'11"-8'10") | 15m (50') | 6m (20') |

4. Set jumpers (see Jumper Setting section).

Note: Reset the detector after each change made to the settings.

5. Install the front cover back to its place (in a reverse sequence of the removal).

6. Perform a Walk test (see Walk Test section below).

Terminal Wiring (see Figure 5)

| Terminal | Description |
|----------|------------------------------|
| - 12 + | 12VDC Input |
| ALARM | N.C. Relay |
| TAMPER | N.C. Tamper switch |
| LED | LED operation remote control |

When an "Activation Signal" is applied to the LED input terminal, all LEDs will be disabled. LEDs are enabled if nothing is connected (unless LED DIP is OFF) or 0V/12V is applied (according to the LED Input Jumper position, 12V or 0V).

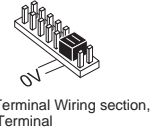
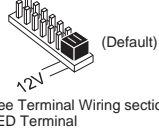
**Activation Signal- If 12VDC is applied, and the LED Input Jumper is on 12V position (Default position)

- Or -

0V is applied and LED Input Jumper is on 0V position

DIP Switch / Jumper Settings

| DIP Switch | Function |
|---|--|
| SW1-1: LED | Used to determine the operation of the detector's LEDs |
| ON: (Default) | LEDs are enabled, allowing LED control via the LED input terminal |
| OFF: | LEDs are disabled |
| SW1-2: ACT | Used to determine if ACT mode is enabled or disabled |
| ON | ACT Enabled Important! Do not use ACT™ mode if you are expecting that there will be moving objects outside the required protected area, a corridor for example. |
| OFF (Default) | ACT Disabled. |
| SW1-3: Green Line | The BWare DT includes a Green Line feature that follows environmental guidelines. This feature disables the MW channel when the alarm system is "Unset", thus eliminating surplus MW emission while the premises is occupied. |
| ON | Green Line feature is enabled: To deactivate the MW module during "UNSET", the LEDs must also be remotely disabled by the LED terminal. Note! When "Green Line" is on (Microwave off), the detector will still activate (PIR only) |
| OFF (Default) | Green Line feature is disabled: MW is constantly in use. |
| SW1-4: Self Test | Not applicable in this version. |
| J1 - Alarm EOL J2 - Tamper EOL | Jumpers J1 and J2 allow the selection of Tamper and Alarm resistance (1K, 2.2K, 4.7K, 5.6K, 6.8K) according to the control panel (see Figure 4). Follow the terminal block connection diagram in Figure 4 when connecting the detector to a Double End Of Line (DEOL) Zone. |
| J4 - LED INPUT | Used to determine the polarity of the external LED input. |



Walk Test

- Two minutes after applying power (warm-up period), walk test the Detector over the entire protected area to verify proper operation of the unit (see Figure 7).
- The K-Band MW range must be adjusted using the potentiometer located on the PCB. It is important to set the potentiometer to the lowest possible setting that will still provide enough coverage for the inner boundary protected area (see Figure 5).

LEDs Display

| LED | State | Description |
|----------|------------------------|---|
| Yellow | On | PIR detection |
| | Flashing | Trouble in PIR channel |
| Green | On | MW detection |
| | Flashing | Trouble in MW channel |
| Blue | On | ALARM |
| All LEDs | Flashing consecutively | At power-up, the LEDs will flash consecutively until the end of the warm-up period (2-3 minutes). |

Technical Specification

| Electrical | |
|-----------------------|---|
| Current consumption | 16mA at 12VDC (typical) 41mA at 12VDC (max.) |
| Voltage requirements | 9 - 16VDC*** |
| Alarm contacts | 24VDC, 0.1A |
| Tamper contacts | 24VDC, 0.1A |
| Environmental | |
| RF immunity | According to EN50130-4 |
| Operating temperature | -10°C to 55°C (14°F to 131°F) |
| Storage temperature | -20°C to 60°C (-4°F to 140°F) |
| Optical | |
| Filtering | White Light Protection |
| Physical | |
| Size | 127.6 x 64.2 x 46.6 mm (5 x 2.5 x 1.84 in.) |
| Weight | 120 gr. (4.2 oz.) |

*** Power to be supplied by 5A max. power source using safety approved wires, with a min Gauge of 20AWG.

Figure 1.
Front cover removal

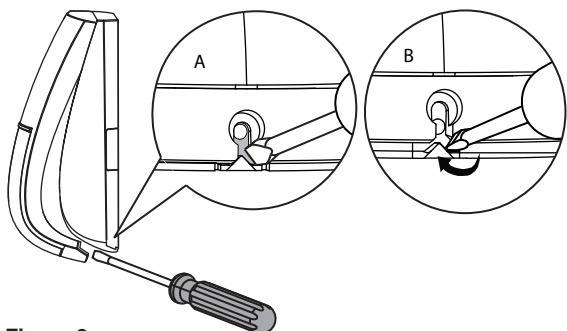


Figure 2.
Back cover - Knockouts

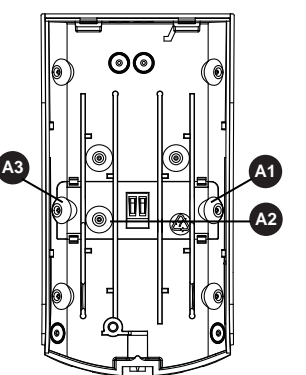


Figure 3.
Lens Assembly

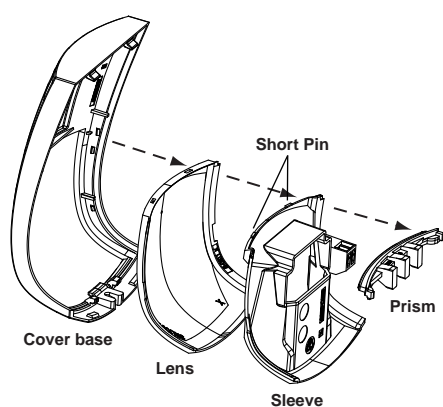
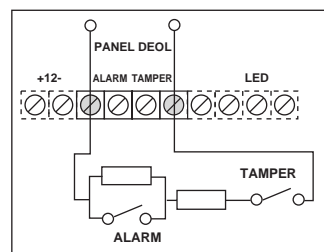


Figure 4.
EOL Resistors



J4 - See in Jumper Settings table

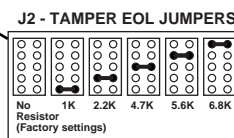
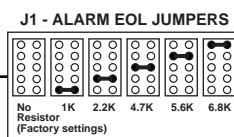
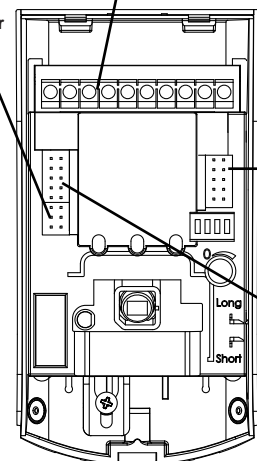


Figure 5.
K-Band MW range adjustment

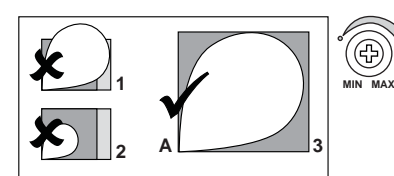


Figure 6.
Terminal Wiring

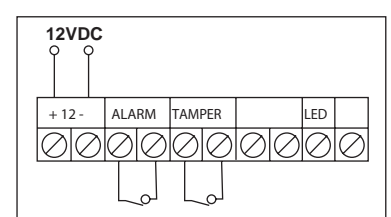
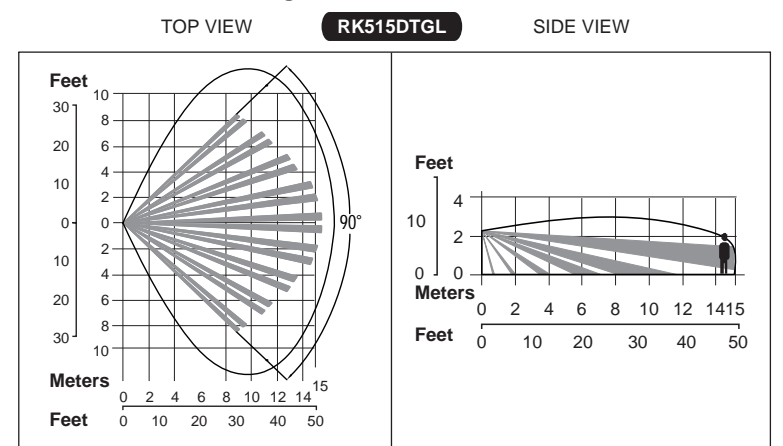


Figure 7.
BWare 15m DT GL Coverage



| | Tamper Plate |
|----|--------------------------------|
| A1 | Right corner mounting knockout |
| A2 | Wall mounting knocko |
| A3 | Left corner mounting knocko |